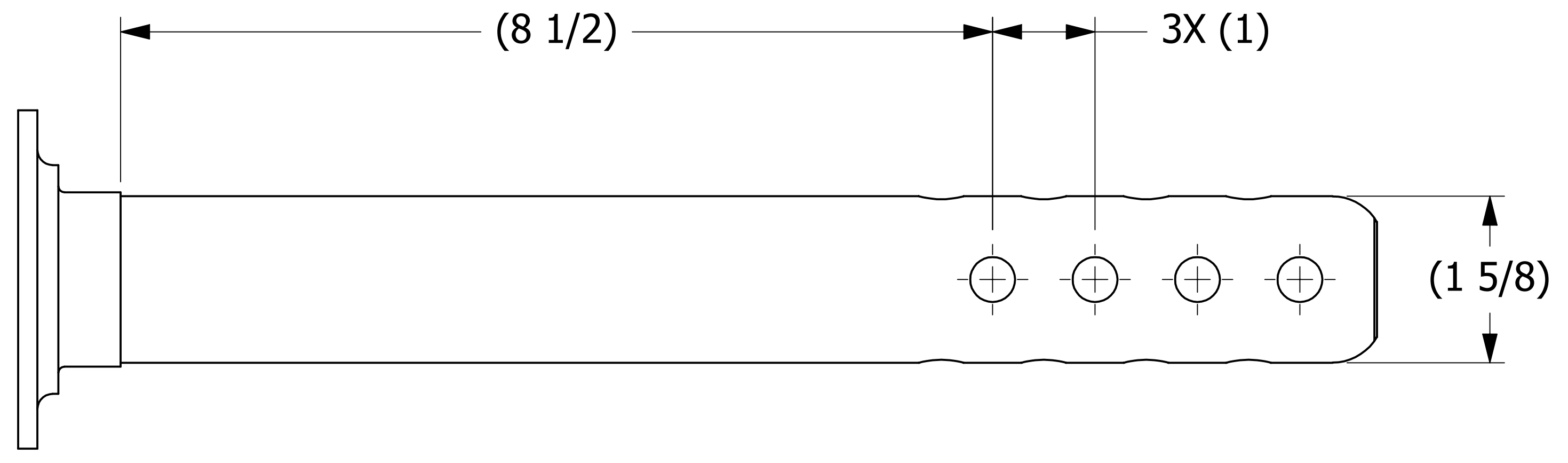
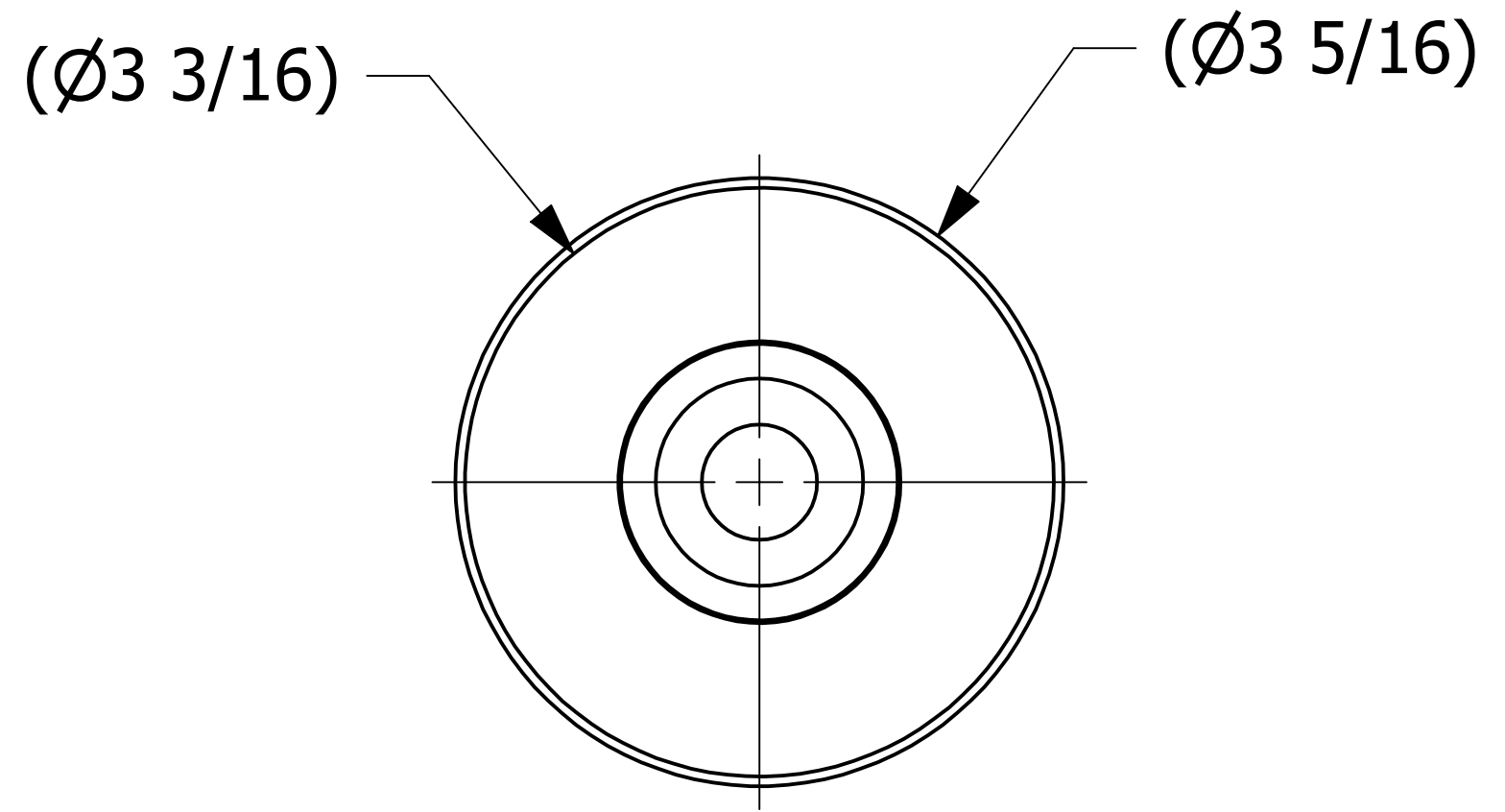


SALES DRAWING SALES DRAWING

SALES DRAWING SALES DRAWING



NOTE:
AAR APPROVAL # E-119002.

REV	BY	DATE	DESCRIPTION
E	TAK	5-18-15	UPDATED VENT HOLE LOCATION
D	WEB	11-5-13	DIM 13 1/4 WAS 13 5/16, DIM 8 1/2 WAS 8 9/16 REPLACED TITLE BLOCK, UPDATED NOTES
C	REH	7-15-10	NOTE ADDED
B	ACC	8-6-04	UPDATED BOM AND DESCRIPTION
A	ACC	3-1-04	ADDED PART TO SYSTEM

<small>UNLESS OTHERWISE SPECIFIED DIMENSIONAL TOLERANCES</small> FRACTIONAL: ±1/16 X.XX: ±.03 X.XXX: ±.015 ANGULAR: ±1° DEBURR ALL SHARP EDGES. ALL MACHINED SURFACES TO HAVE A 125 RMS FINISH UNLESS NOTED OTHERWISE. <small>THIRD ANGLE PROJECTION</small>	DRAWN BY:	ACC
	CHECKED BY:	
	PROTOTYPE BY:	ACC
	PROTOTYPE DATE:	3/1/2004
	APPROVED FOR PRODUCTION BY:	ACC
	PRODUCTION DATE:	3/1/2004

SALCO PRODUCTS, INC.		
PART NAME: SURGE PROTECTOR		
MATERIAL: SALCO PE		
PROJECT #: 030708	SHEET #: 1 OF 1	SCALE: 1:1
DRAWING #: D18180	PART #: HSSPRD33	

THIS PRINT, PROPERTY OF SALCO PRODUCTS INC. CONTAINS PROPRIETARY INFORMATION AND MUST NOT BE COPIED, REPRODUCED, OR USED DETRIMENTALLY TO OUR INTEREST.